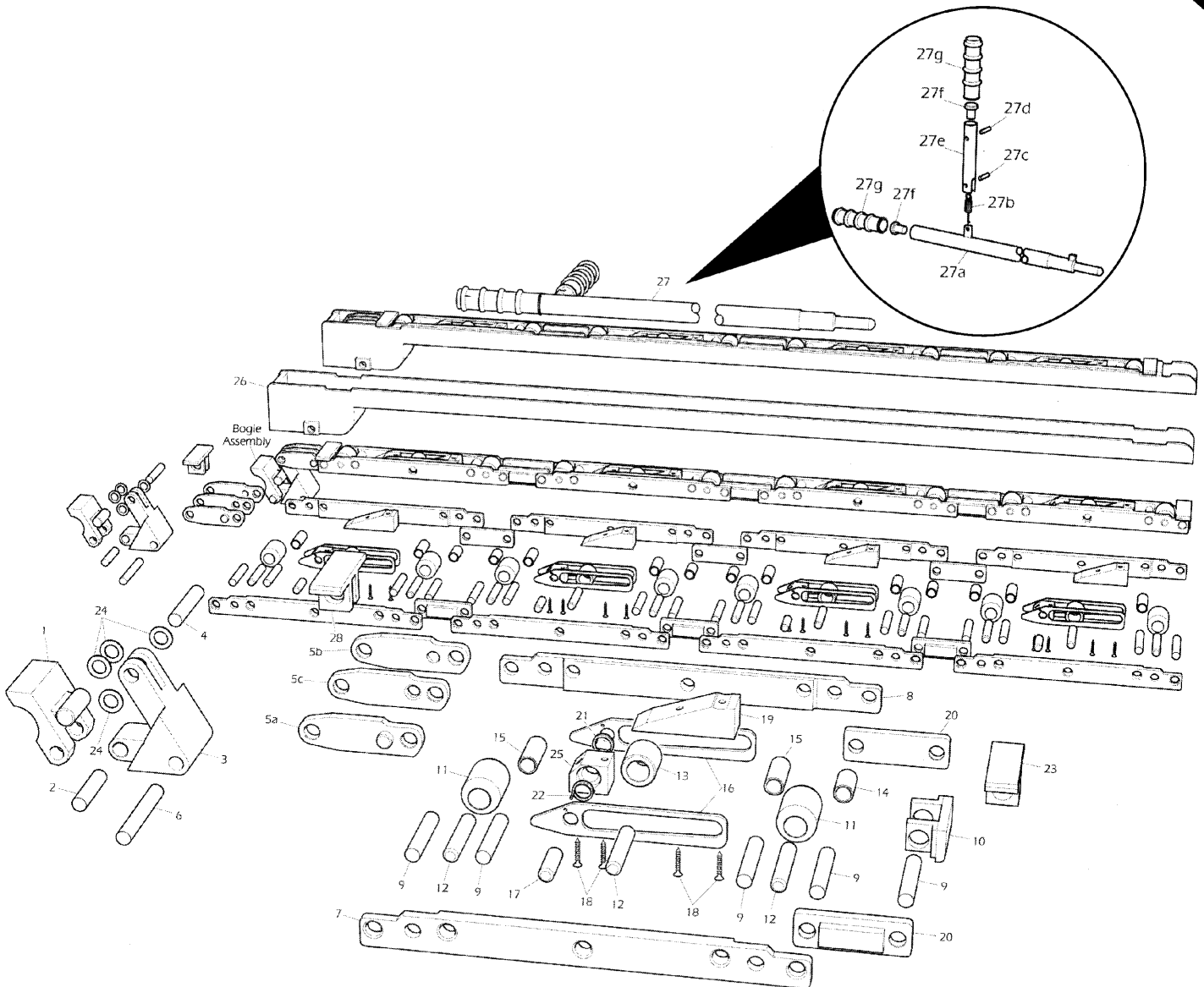


Joloda

Heavy Duty Maxx Skate: Diagram and Parts List

Model
3500kg SWL
Per Pair

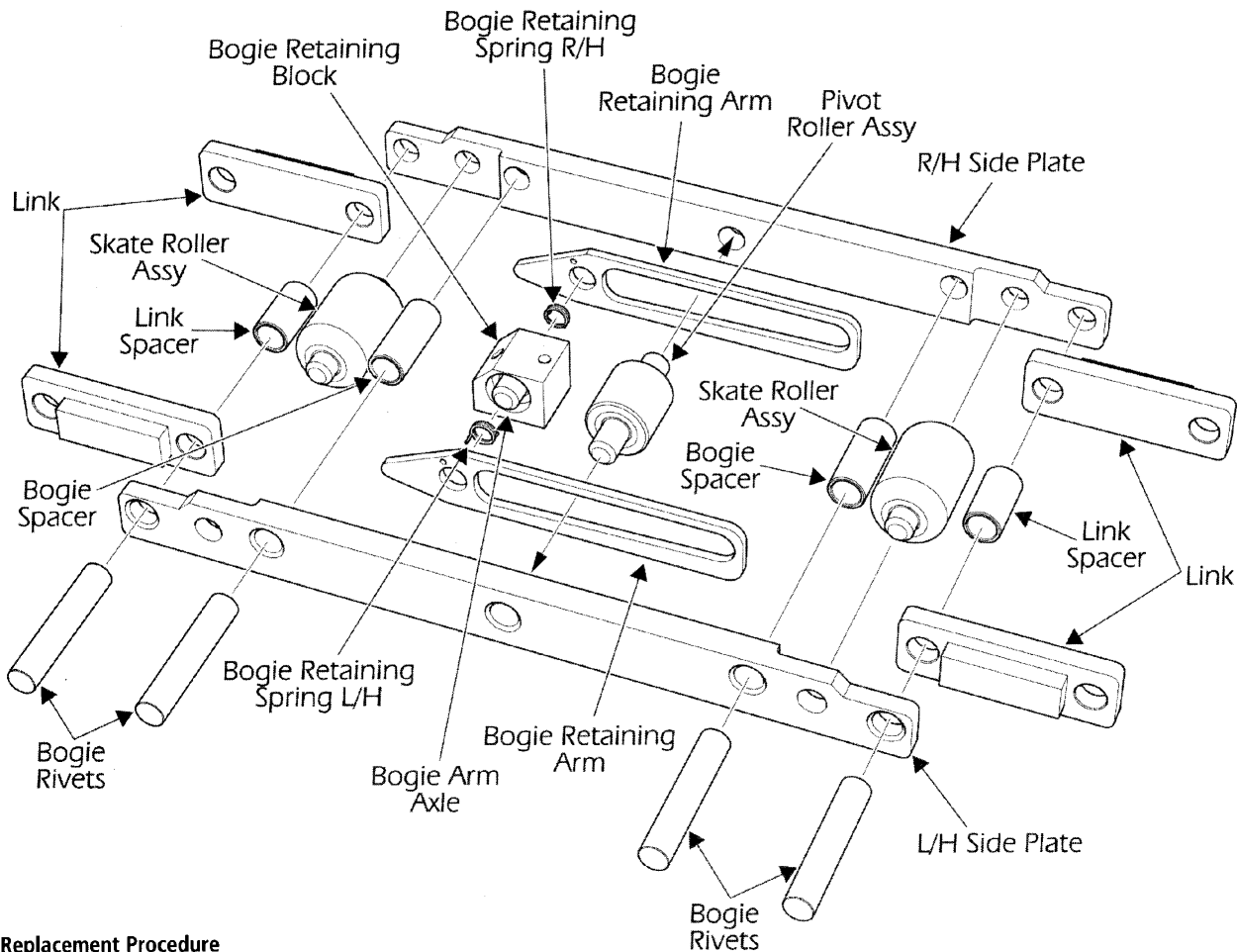


ITEM	PART NO.	DESCRIPTION	QTY
1	SK-MAXA1SL	MAX Skate Flap	1
2	SK-LLA2/A	Flap Pin	1
3	SK-HDMAXA3SL	MAX Bell Crank	1
4	SK-LLA4SL	Straight Link Bell Crank Rivet	1
5a	SK-MAXA6SLL	MAX Bell Crank Link (L/H)	1
5b	SK-MAXA6SLR	MAX Bell Crank Link (R/H)	1
5c	SK-MAXA6SL	MAX Bell Crank Link (M/H)	1
6	SK-HDA7	Heavy Duty Box/Bell Crank Rivet	1
7	SK-HDMAX-SP-01	Bogie Side Plate (L/H)	4
8	SK-HDMAX-SP-01	Bogie Side Plate (R/H)	4
9	SK-LLA13/A	Bogie Rivet	16
10	SK-LLA23	End Stop	1
11	SK-LLA14	Skate Roller	8
12	SK-LLA15	Skate Roller Axle	12
13	SK-LLA18	Pivot Roller	4
14	SK-LLA20	Link Spacer	6
15	SK-HDMAX17	Bogie Spacer	8
16	SK-HDMAXS18	Bogie Retaining Arm	8

supplied as
SK-HDRA1 Assembly
supplied as
SK-HDRA2 Assembly

ITEM	PART NO.	DESCRIPTION	QTY
17	SK-HDMAXA19	Bogie Arm Axle	4
18	SK-LLA25	Counter Sunk Socket Screw	16
19	SK-MAXS21	Max Skate Ramp	4
20	SK-HDMAXA22	Link for 1.2m Heavy Duty Max Skate	6
21	SK-MAXA35R	Bogie Retaining Spring (R/H)	4
22	SK-MAXA35L	Bogie Retaining Spring (L/H)	4
23	SK-LLA27	Self Cleaning Block	1
24	SK-LLA33	Bell Crank Washer	4
25	SK-MAXA34	Bogie Retaining Block	4
26	SK-HDMAXA30 1200	Frame	1
27	SK-HDOPMF-MAX	Heavy Duty MAX Multi-Function Operating Handle	1
27a	SK-HDOPMF-MAX-TUBE	Handle Main Bar	1
27b	SK-OPMF/B-SPR	Spring	1
27c	SK-OPMF/B-SSR	Rivet	1
27d	SK-OPMF/B-SPL	Spring Pin	1
27e	SK-OPMF/B-HG	Pulling Handle	1
27f	SK-OPBUNG	Black End Cap	2
27g	SK-OPGRIP	Red Rubber Handle	2
28	SK-HDA27	Self Cleaning Block	1

Heavy Duty Maxx Skate: Axle, Roller and Spring Replacement Procedure



Replacement Procedure

To remove bogie assembly from body shell

Drill the head off the bell crank rivet (SK-HDA7) with a 10mm diameter drill and knock out using an 8mm diameter punch.

Before releasing countersunk socket screws with 3mm Allen Key, hit head of screws with Hammer to release. Then remove countersunk socket screws (SK-LLA25) using a 3mm Allen Key; this will release the bogie retaining blocks (SK-MAXA34).

The bogie assembly can now be removed from the body shell.

To replace rollers (SK-HDRA1)

Drive out old axles with an 8mm diameter punch.

Old rollers can then be removed.

Remove new axle from new roller. Position roller and drive in the axle with Copper Hammer. DO NOT USE OLD AXLES.

To replace rollers (SK-HDRA2)

As before, remove axles; the bogie retaining springs and clips will now be free. If required these parts can be replaced.

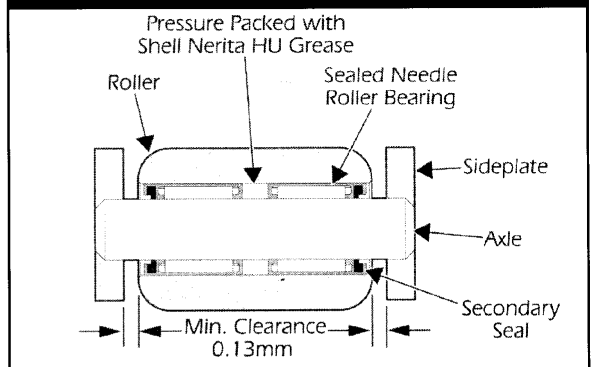
Replace roller and ensure all parts line up (see diagram for correct fitting). Drive in new axle.

To re-assemble

Replace bogie assembly in body shell. Refit Bogie Retaining Block (SK-MAXA34) with new countersunk socket screws (SK-LLA25) by using MAXX Block Assembly Tool to lock on to nearest hole of retaining block, then lock on to back hole of MAXX ramp (SK-MAXS21). Hole of frame and MAXX block will now line up and ready for countersunk socket screws to be inserted. Then distort top with Centre Punch around screw.

Replace bell crank rivet (SK-HDA7) and peen over with Ball Spreader until rivet is flush with body shell. Finish off peen with flat face of Hammer.

SECTION ACROSS ROLLER ASSEMBLY SK-HDRA1



Tools Required:

- 1 - 1kg Hammer
- 1 - 8mm Diameter Punch
- 1 - 10mm Diameter Drill
- 1 - 3mm Allen Key
- 1 - Centre Punch
- 1 - Copper Hammer No 1
- 1 - MAXX Retaining Arm Assembly Tool (A34BLK: 4/001)

Materials Required Per Skate

- 8 - Rollers complete with Bearings and Axles (SK-HDRA1)
- 4 - Pivot Rollers complete with Bearings and Axles (SK-HDRA2)
- 1 - Bellcrank Rivet (SK-HDA7)
- 8 - Countersunk Socket Screws (SK-LLA25)

It is the policy of Joloda (International) Ltd to improve their design specifications wherever new materials or innovative methods may prove advantageous. Therefore they reserve the right to alter or amend information contained in this leaflet without prior notification and refuse to supply where application is against JOLODA recommendations.